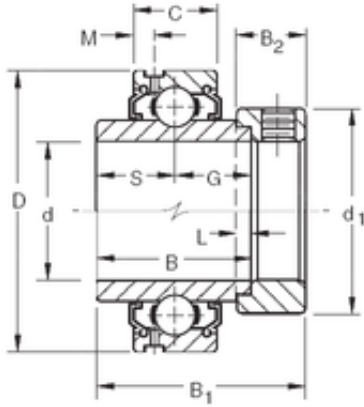




PVQ BEARINGS LIMITED

38,1 mm x 80 mm x 42,86 mm TIMKEN G1108KLL Insert Bearings Cylindrical OD



Bearing No. G1108KLL

Size	38.1x80x42.86 mm
Bore Diameter	38,1 mm
Outer Diameter	80 mm
Width	42,86 mm
d	38,1 mm
D	80 mm
B	42,86 mm
C	21 mm
d1	60,3 mm
B1	56,4 mm
B2	18,3 mm
G	21,4 mm
L	4,8 mm
M	4,06 mm
S	21,4 mm
Weight	0,826 Kg
Basic dynamic load rating (C)	36,2 kN

G1108KLL Bearing 2D drawings and 3D CAD models